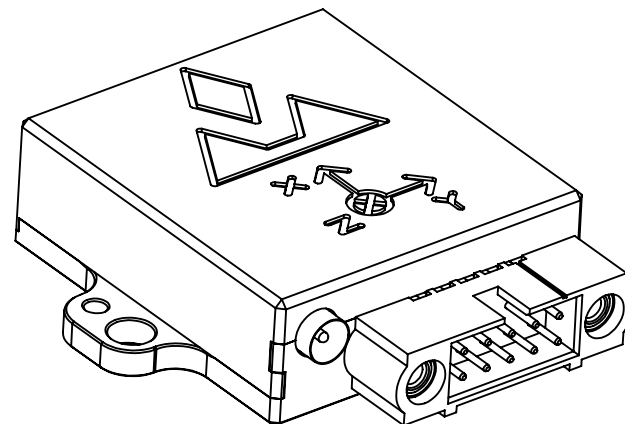
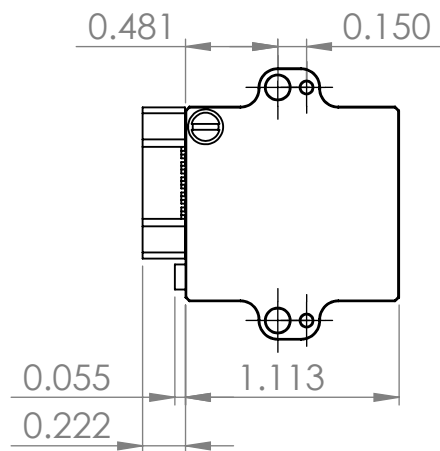
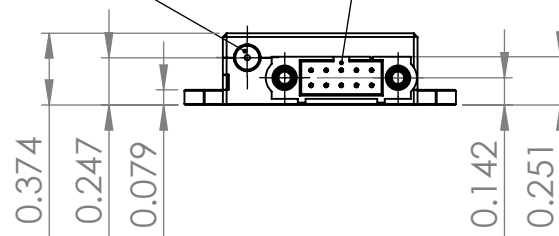


MMCX GPS ANTENNA CONNECTOR

HARWIN 10-PIN CONNECTOR
 PN: M80-5001042
 (MATING CONNECTOR
 PN: M80-4861005)

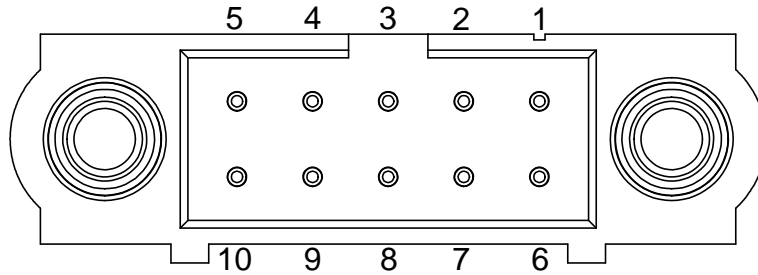


NOTE: FIGURE ENLARGED TO 2:1 SCALE

	NAME	DATE	VECTORNAV TECHNOLOGIES, LLC	
DRAWN	DAVIS	6/3/12	TITLE:	
CHECKED			VN-200 RUGGED	
ENG APPR.				
MFG APPR.				
Q.A.				
UNLESS OTHERWISE SPECIFIED: DIMENSIONS ARE IN INCHES TOLERANCES ARE: .XX 0.01 .XXX 0.005			SIZE	DWG. NO.
			A	
			SCALE: 1:1	SHEET 1 OF 1

VN-200 Rugged Pin Numbering

(looking at mating side of male connector)



VN-200 Rugged Pin Description

Pin	Name	Description
1	PWR	Power input at +5.0 V (± 0.5 V)
2	TX_RS232	Serial data out of the device at RS-232 voltage levels
3	RX_RS232	Serial data into the device at RS-232 voltage levels
4	SYNC_OUT	Output signal for synchronizing with an external system
5	GND	Ground
6	TARE/RESTORE	Pulse high to tare sensor. Hold high at power on to restore factory settings (5V tolerant)
7	SYNC_IN	Input signal for synchronizing with an external system
8	TX_TTL	Serial data out of the device at TTL (+3.3V) voltage levels
9	RX_TTL	Serial data into the device at TTL (+3.3V) voltage levels
10	NC	No connect